

# Feldklasse



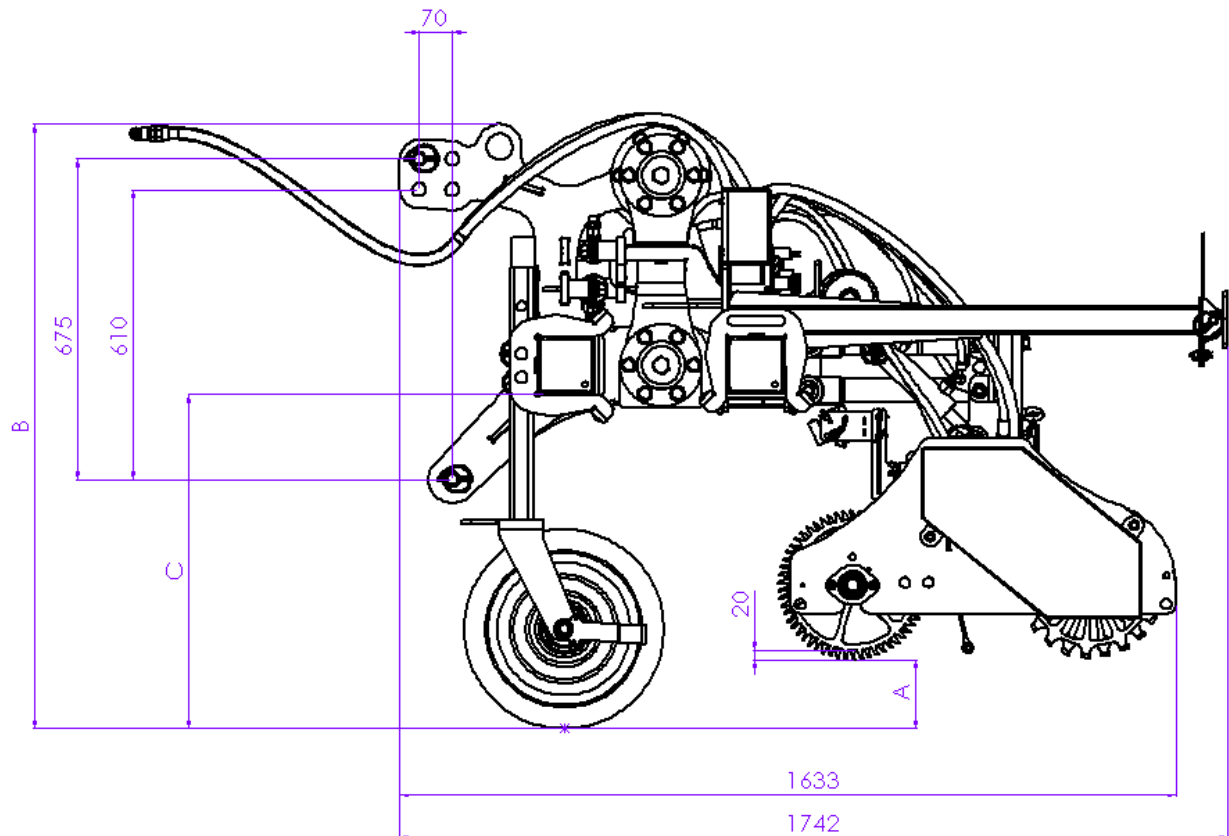
## Technical data

Rukaby since year of construction 2021

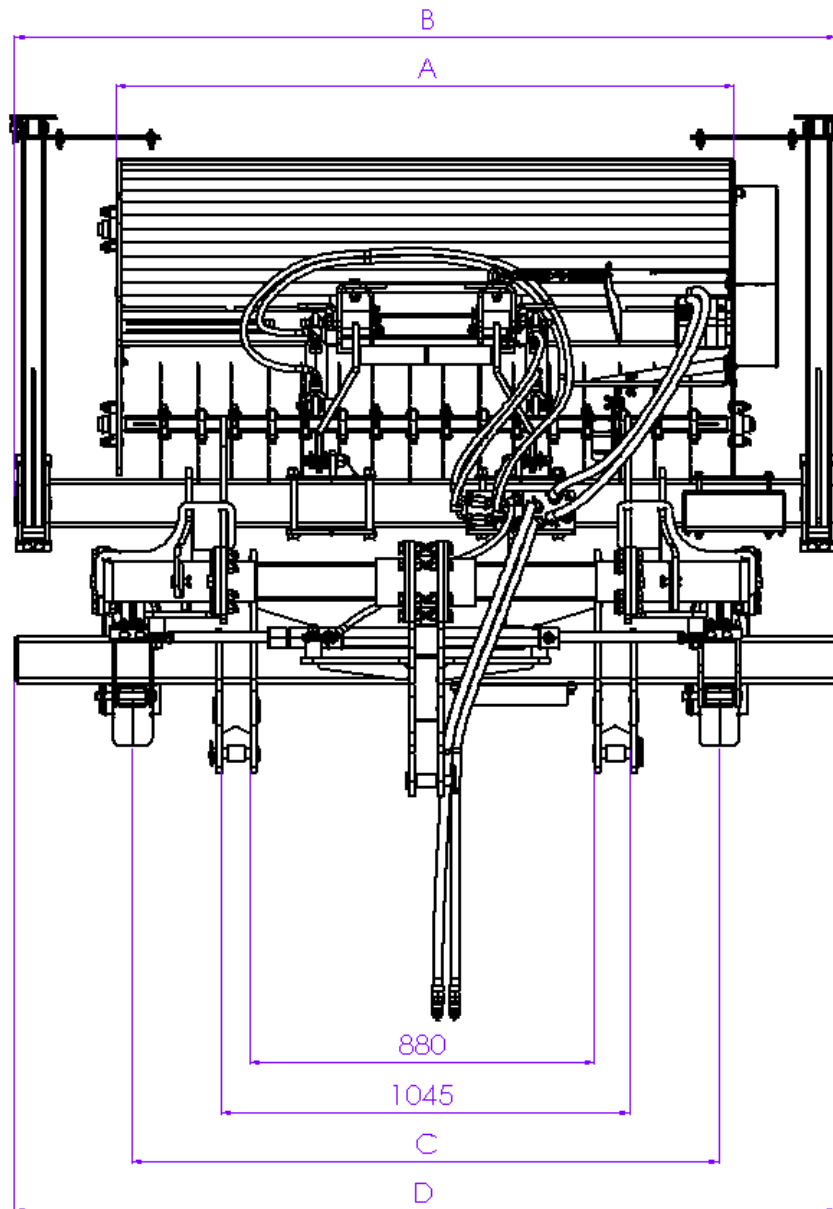
DULKS ABRAH Beet since year of construction 2020

# 1. Rukaby rear-mounted

## Dimensions



	Support wheels completely at the top	Support wheels fully extended
A	45	245
B	1125	1325
C	605	805



	Rukaby13	Rukaby15	Rukaby17	Rukaby23	Rukaby27
A	1380	1580	1780	2380	2780
B	2100	2100	2100	3000	3000
C	1500	1700	2000	2500	3000
D	2100	2100	2100	3000	3000

## Weights

	Rukaby13	Rukaby15	Rukaby17	Rukaby23	Rukaby27
kg	690	710	720	800	840

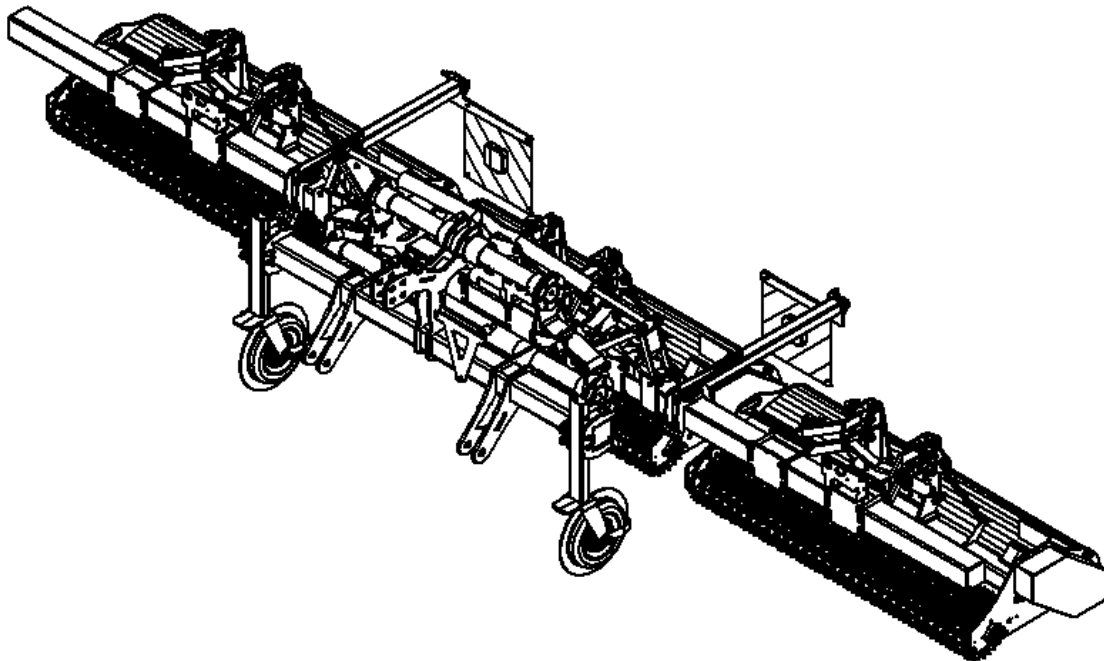
## Hydraulic demand in l/min with hydraulic drive rear shaft

	Rukaby13	Rukaby15	Rukaby17	Rukaby23	Rukaby27
2 km/h	20	20	20	20	20
4 km/h	38	38	38	38	38
2 km/h large ratio (only for light soils)	12	12	12	12	12
4 km/h large ratio (only for light soils)	21	21	21	21	21

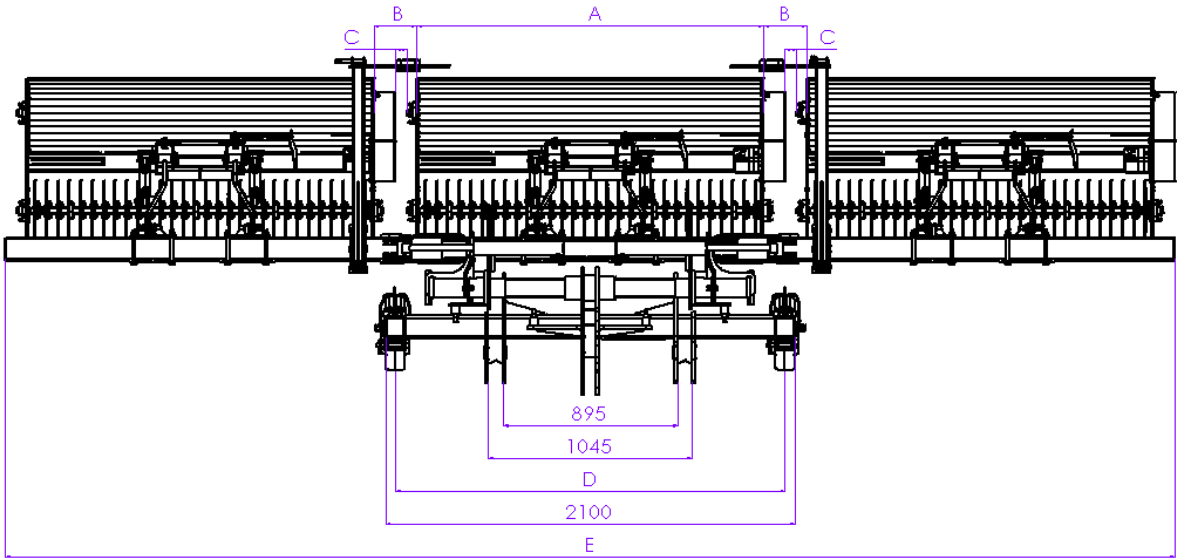
Connection by double-acting valve or single-acting with pressure free return. Die hydraulic system of the hoeing machine returns the excess oil loss-less back to the tractor. Therefore, the hoeing machine can manage a higher oil volume as specified.

P max. 210 bar. Typical pressure at work: 80 bar

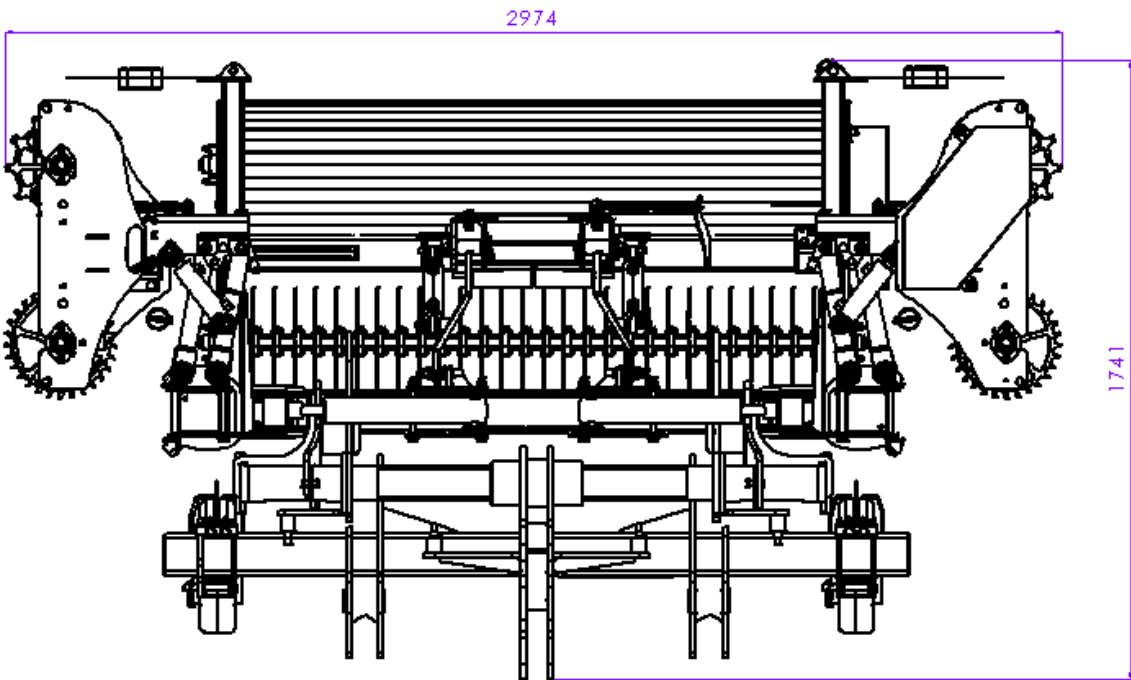
## 2. Rukaby folding frame rear-mounted



Dimensions



	3 Rukaby 1,8 m track	3 Rukaby 2 m track
A	1580	1780
B	220	220
C	60	60
D	1800	2000
E	5400	6000



## Weights

	3 Rukaby 1,8 m Spur	3 Rukaby 2 m Spur
kg	1400	1500

## Hydraulic demand in l/min with hydraulic drive rear shaft

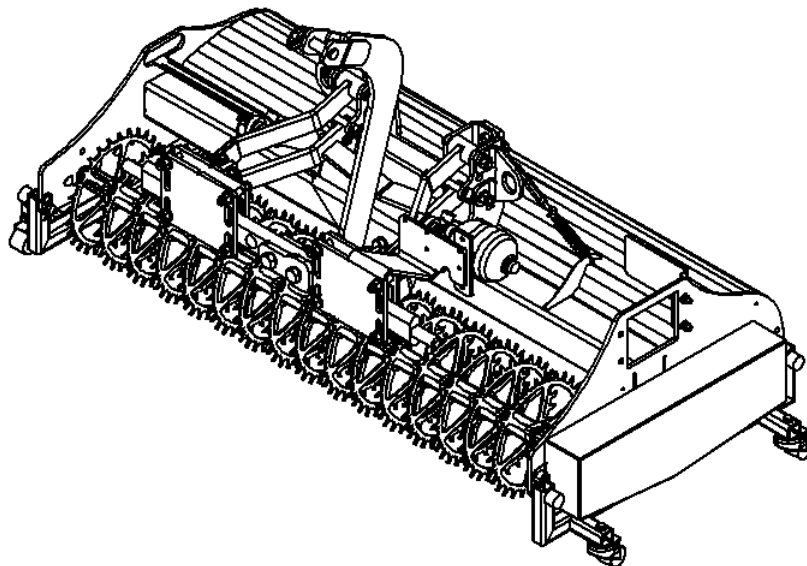
	3 Rukaby
2 km/h	56
4 km/h	109
2 km/h large ratio (only for light soils)	31
4 km/h large ratio (only for light soils)	61

Connection by double-acting valve or single-acting with pressure free return. Die hydraulic system of the hoeing machine returns the excess oil loss-less back to the tractor. Therefore, the hoeing machine can manage a higher oil volume as specified.

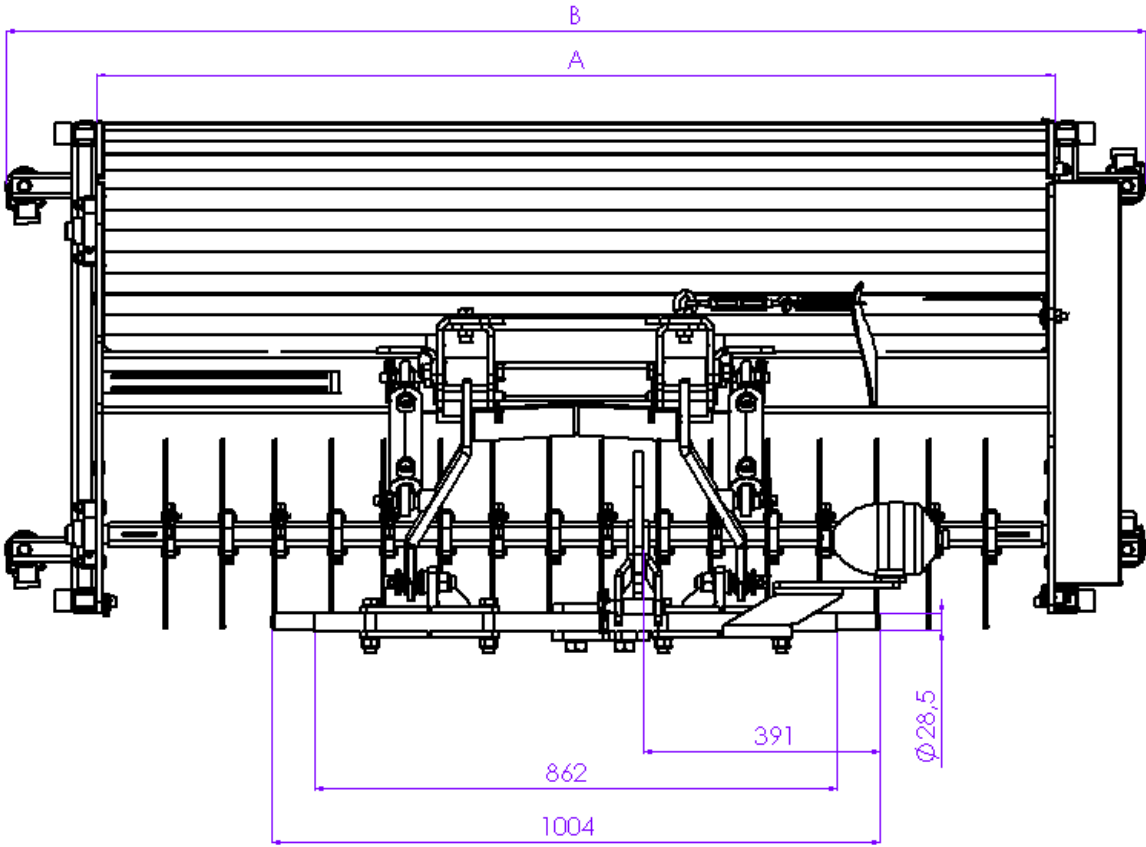
P max. 210 bar. Typical pressure at work: 80 bar

You need an additional double-acting valve for the folding.

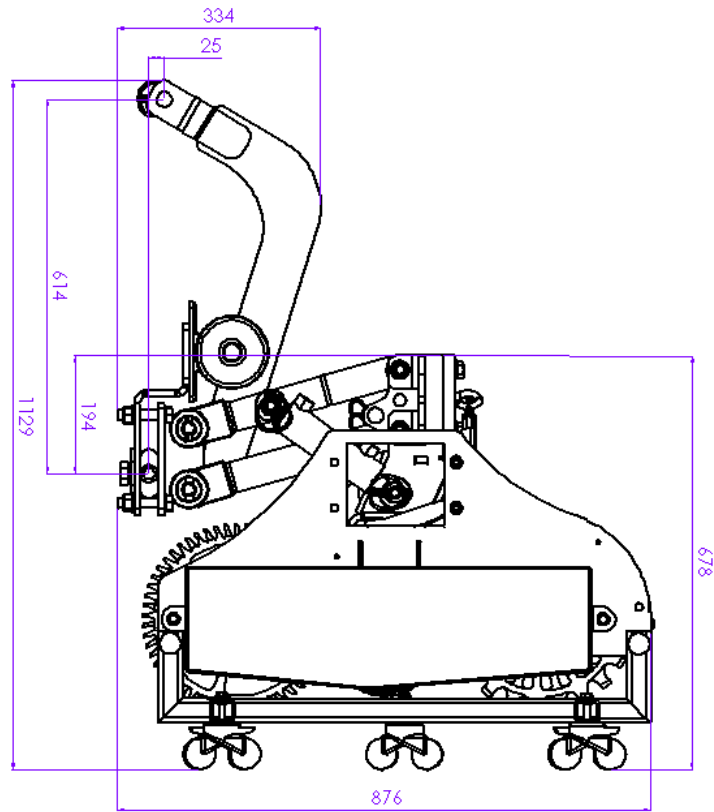
## 3. Rukaby middle-mounted



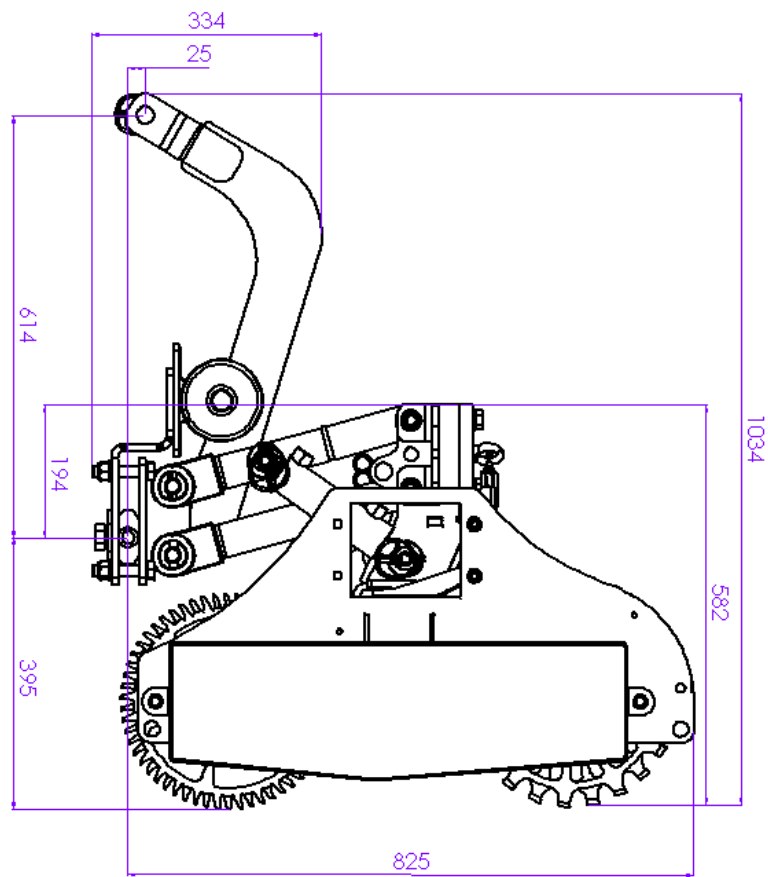
Dimensions



	Rukaby13	Rukaby15	Rukaby17	Rukaby23	Rukaby27
A	1380	1580	1780	2380	2780
B	1660	1860	2060	2660	3060

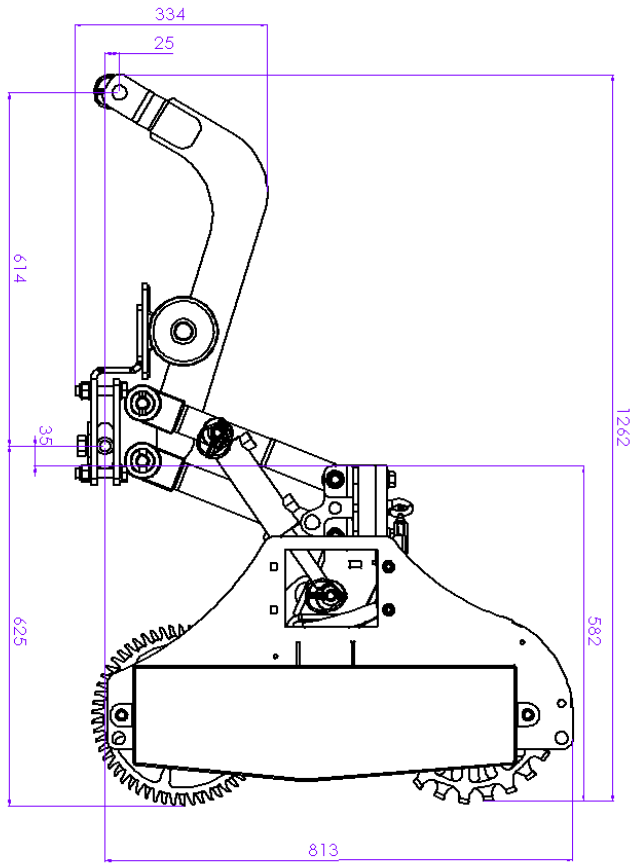


Transport an storage on rollers

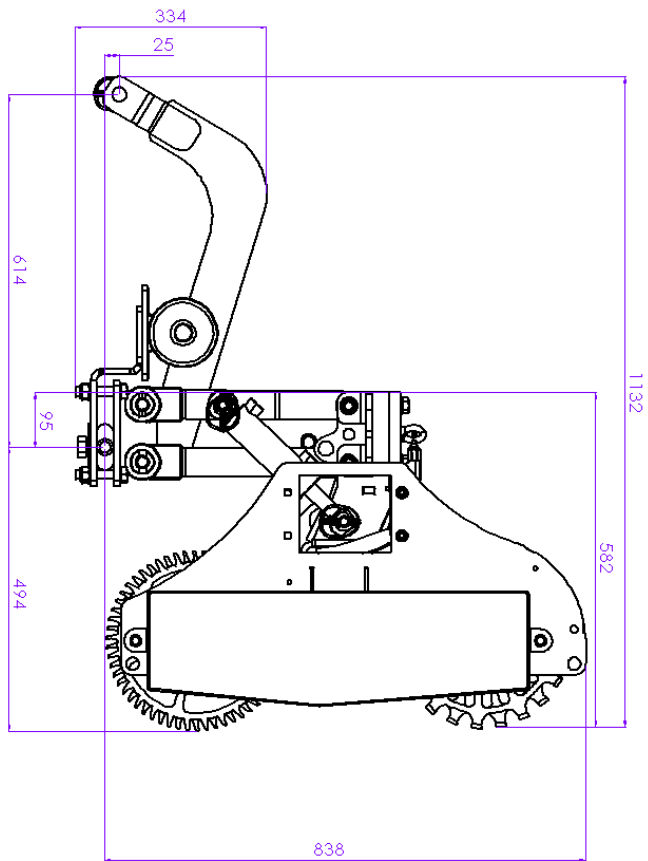


Mounted into tool carrier: Machine unit lifted;  
Transport position





Mounted into tool carrier: Machine unit lowered;  
Tractor hoist lifted



Mounted into tool carrier: Working position  
(parallelogram horizontal)

## Weights

	Rukaby13	Rukaby15	Rukaby17	Rukaby23	Rukaby27
kg	280	300	310	340	380

## Hydraulic demand in l/min with hydraulic drive rear shaft

	1 Rukaby
2 km/h	19
4 km/h	37
2 km/h large ratio (only for light soils)	11
4 km/h large ratio (only for light soils)	21

Connection by double-acting valve or single-acting with pressure free return. The hydraulic system of the hoeing machine returns the excess oil loss-less back to the tractor. Therefore, the hoeing machine can manage a higher oil volume as specified.

P max. 210 bar. Typical pressure at work: 80 bar



## Feldklasse GmbH

Rudolf-Diesel-Straße 12

D-40670 Meerbusch, Germany

Office (spare parts): +49 (0)2159 821 87 01

Service (technical issues) +49 (0)172 614 34 06

[www.feldklasse.de](http://www.feldklasse.de)

[info@feldklasse.de](mailto:info@feldklasse.de)