

Feldklasse



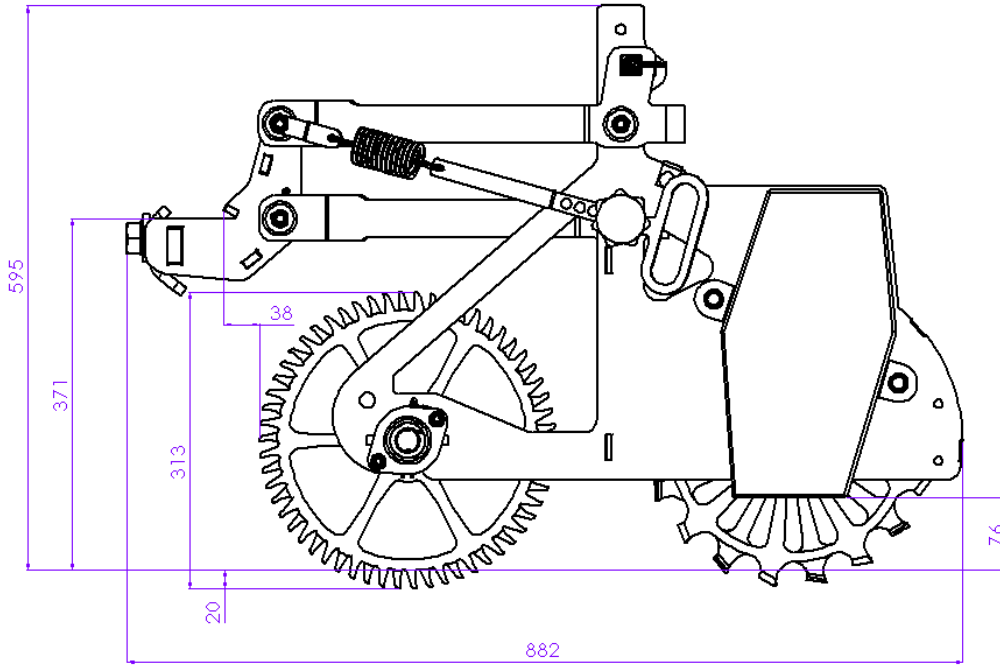
Technical data

Pacorel since year of construction 2021

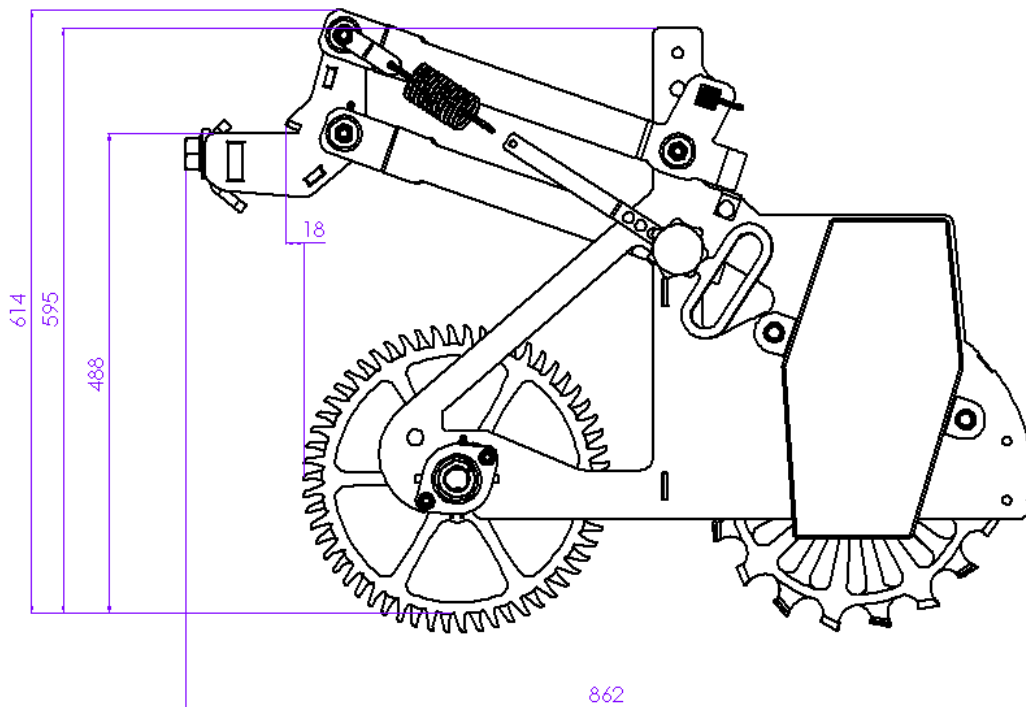
DULKS ABRAH Damm since year of construction 2019

1. Pacorel with Omega clamping

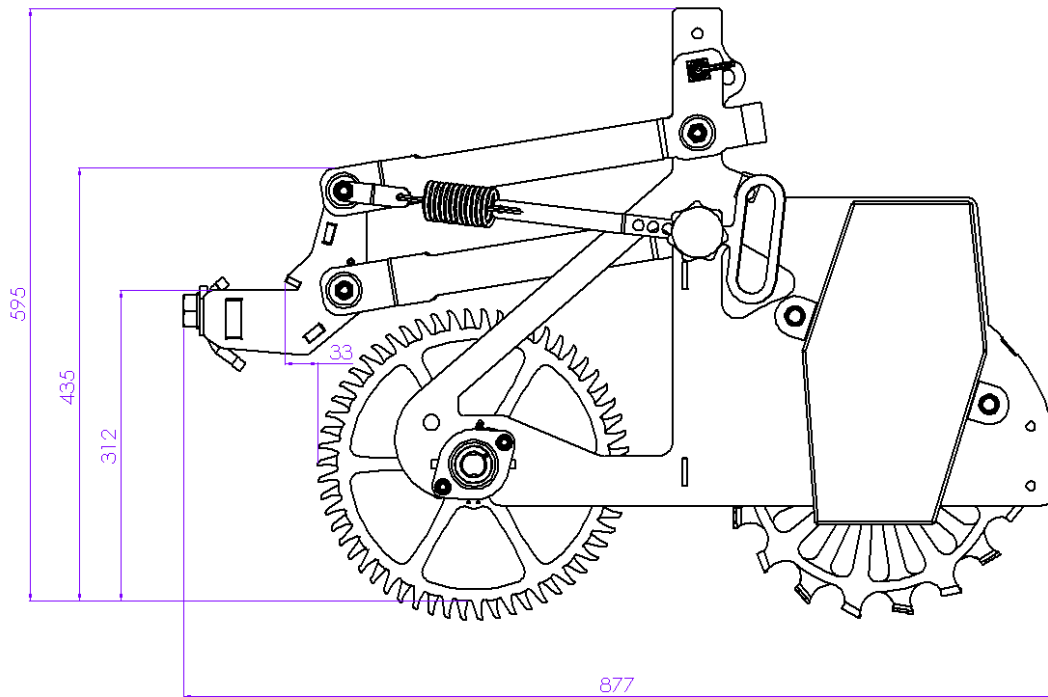
Dimensions



Mounted into tractor: working position
(parallelogram horizontal)



Mounted into tractor: Machine unit lowered;
tractor hoist lifted

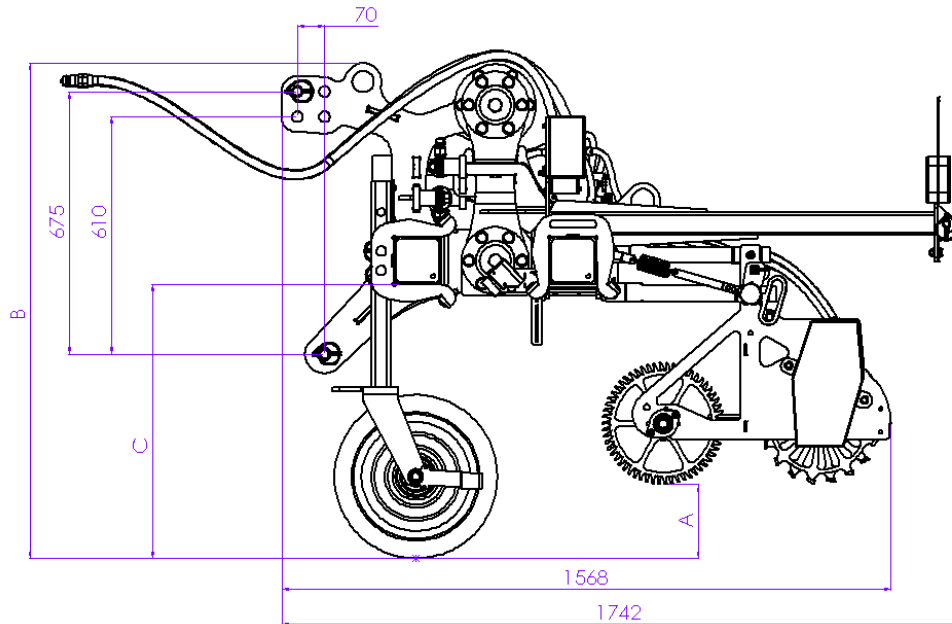


Mounted into tractor: machine unit lifted;
Transport position

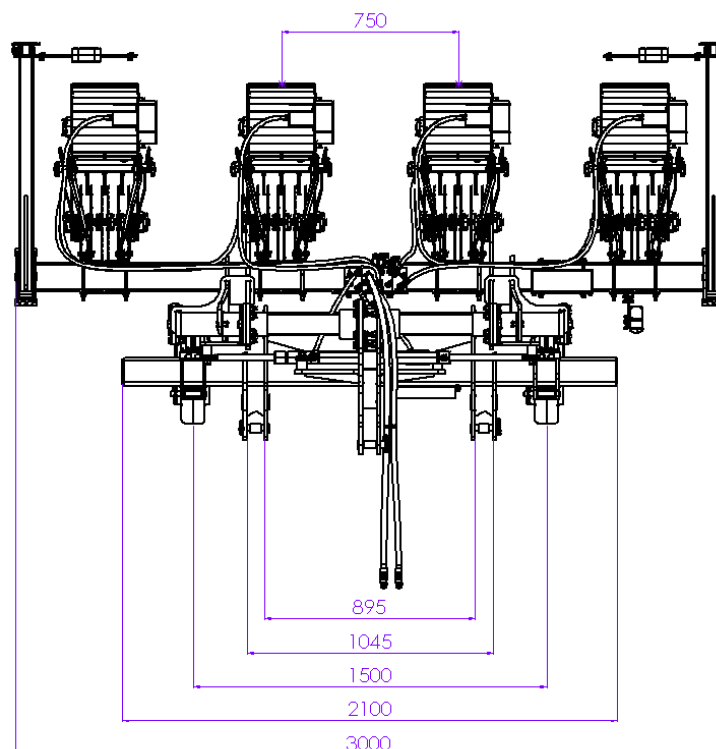
Weight of 1 machine unit: 51 kg

2. Pacorel rear-mounted

Dimensions



	Support wheels completely at the top	Support wheels fully extended
A	155	355
B	1125	1325
C	605	805



Weight

3 ridges: 663 kg

4 ridges: 734 kg

6 ridges: 836 kg

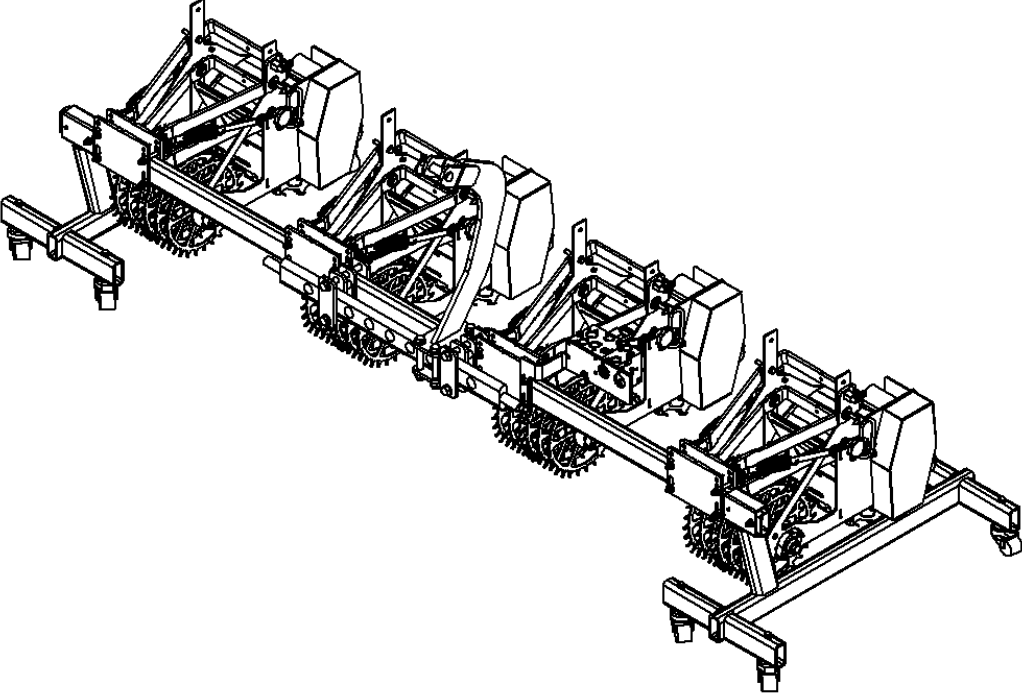
Hydraulic demand, gear ratio 20/12

Ridges (pieces)	Working speed (km/h)	Oil volume (l/min)
3	2	16
3	4	31
4	2	16
4	4	31
6	2	23
6	4	47

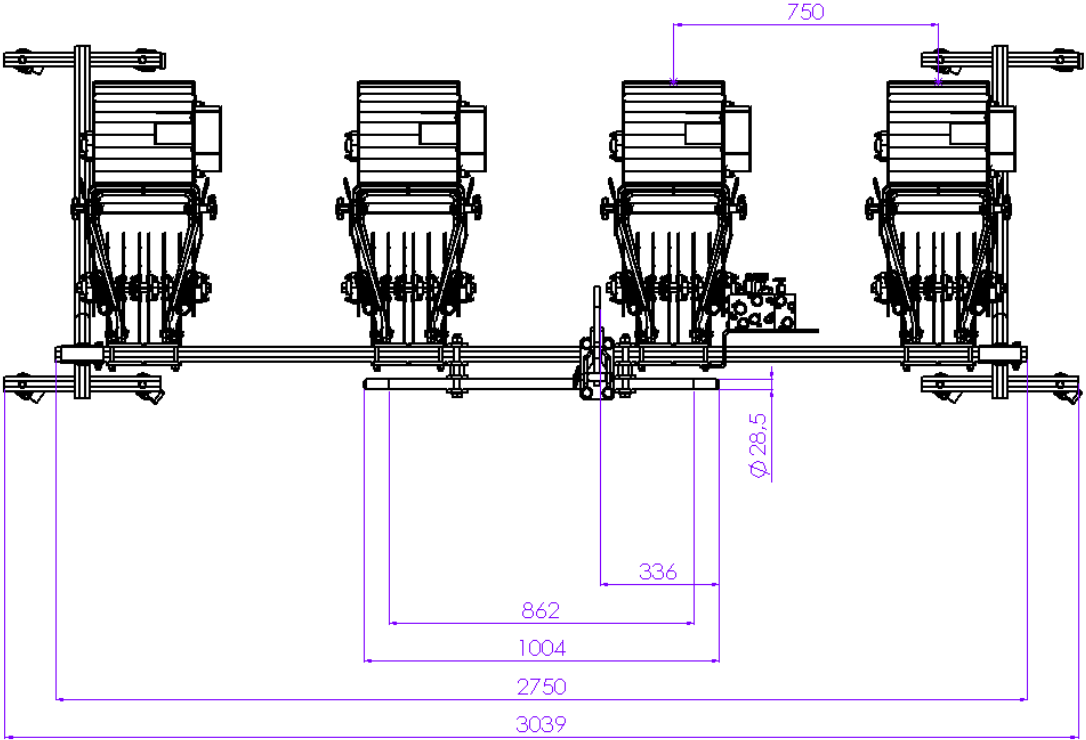
Connection by double-acting valve or single-acting with pressure free return. The hydraulic system of the hoeing machine returns the excess oil loss-less back to the tractor. Therefore, the hoeing machine can manage a higher oil volume as specified.

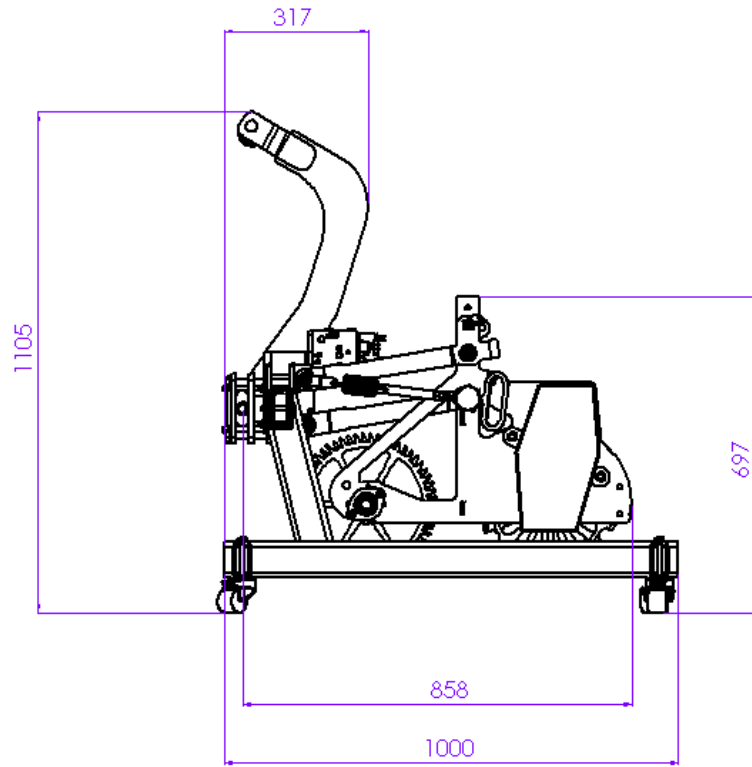
P max. 210 bar. Typical pressure at work: 80 bar

3. Pacorel middle-mounted

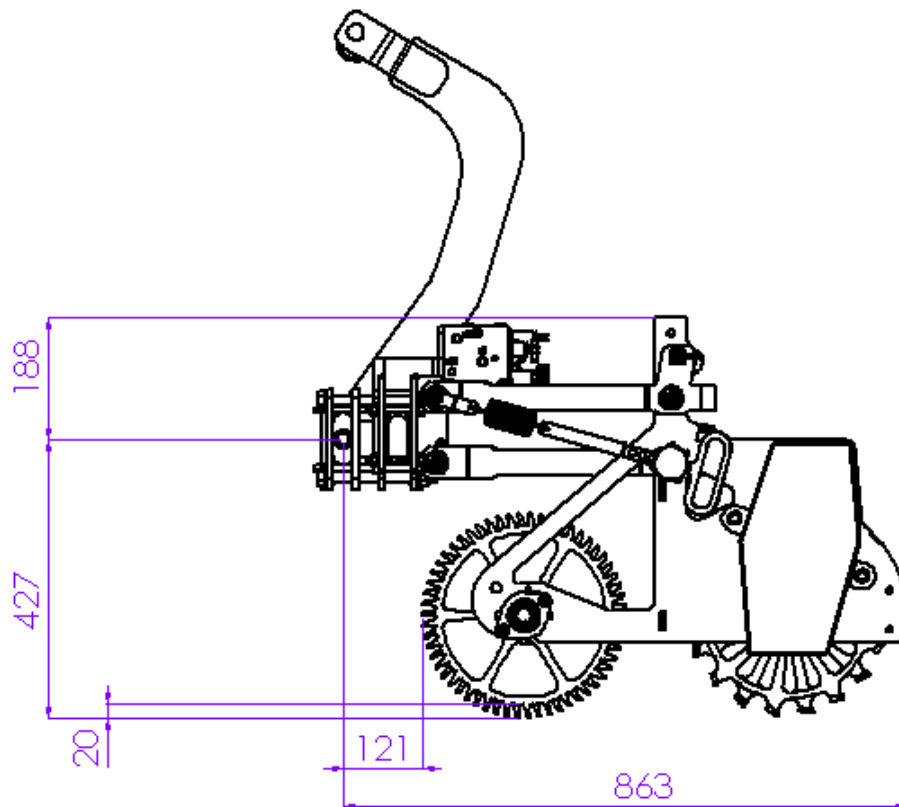


Dimensions

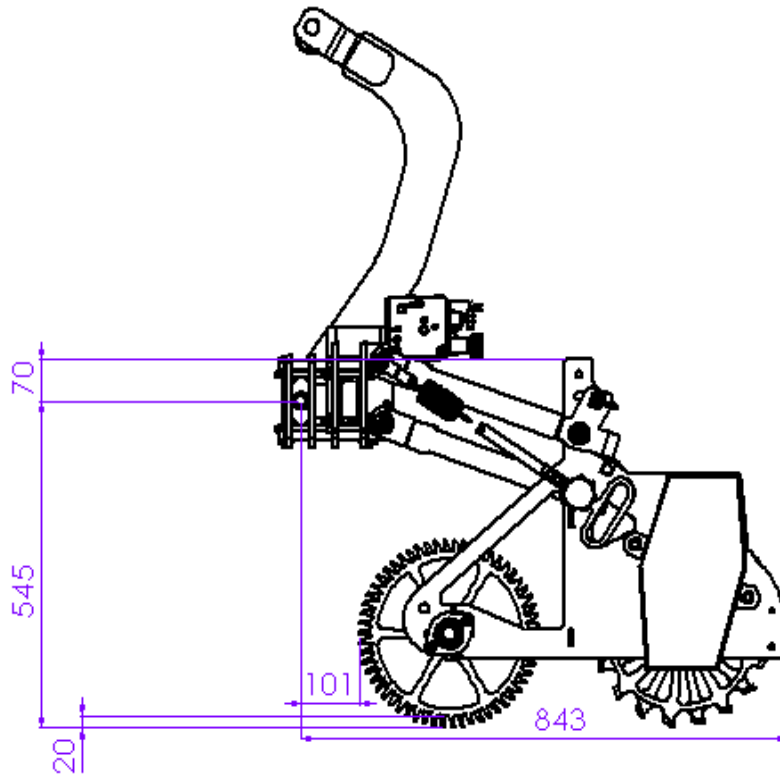




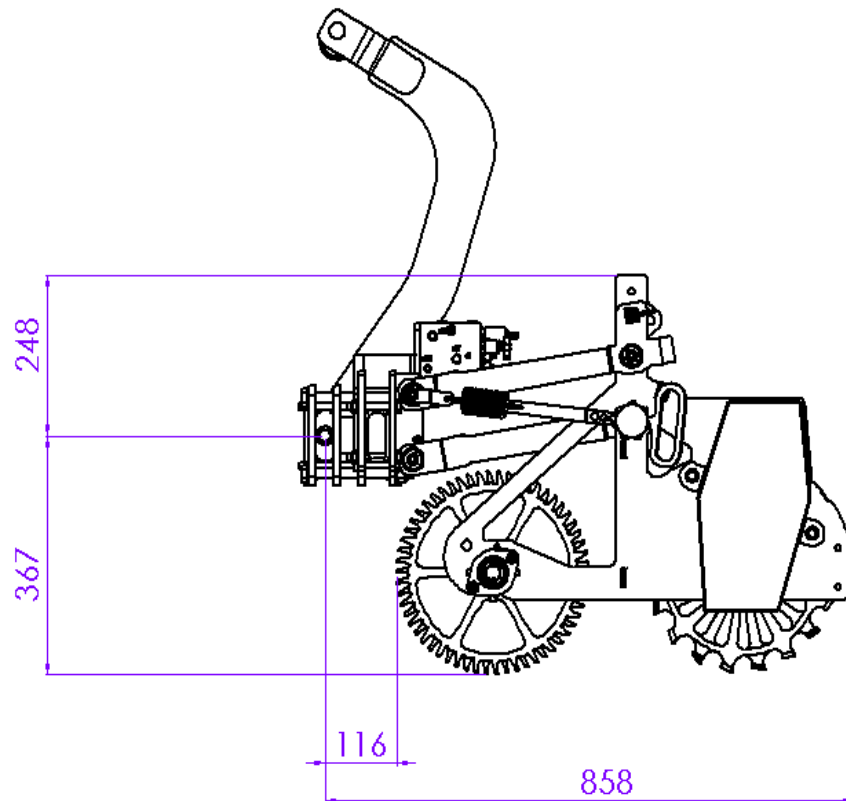
Transport and storage on rollers



Mounted into tool carrier: Working position
(parallelogram horizontal)



Mounted into tool carrier: Machine unit lowered;
Tractor hoist lifted



Mounted into tool carrier: Machine unit lifted;
Transport position

Weight

3 ridges: 198 kg

4 ridges: 264 kg

6 ridges: 390 kg

Hydraulic demand, gear ratio 20/12

Ridges (pieces)	Working speed (km/h)	Oil volume (l/min)
3	2	15
3	4	30
4	2	15
4	4	30
6	2	22
6	4	45

Connection by double-acting valve or single-acting with pressure free return. The hydraulic system of the hoeing machine returns the excess oil loss-less back to the tractor. Therefore, the hoeing machine can manage a higher oil volume as specified.

P max. 210 bar. Typical pressure at work: 80 bar



Feldklasse GmbH

Rudolf-Diesel-Straße 12

D-40670 Meerbusch, Germany

Office (spare parts): +49 (0)2159 821 87 01

Service (technical issues): +49 (0)172 614 34 06

www.feldklasse.de

info@feldklasse.de